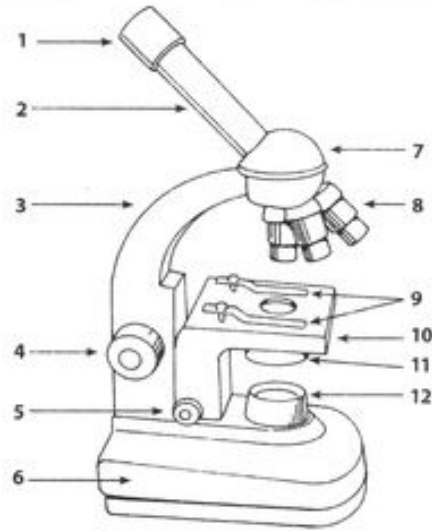


Extension Cells

Using the word bank provided, label the parts of a microscope (you may have to use the internet to research!)

- 1.
- 2.
- 3.
- 4.
- 5.
- 6.
- 7.
- 8.
- 9.
- 10.
- 11.
- 12.

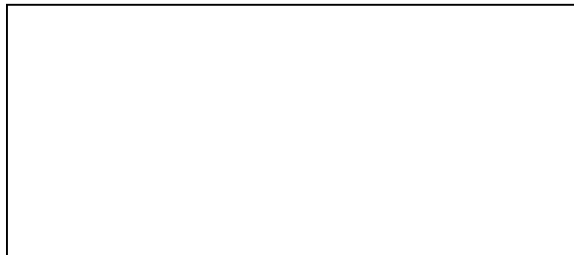


Base Light Diaphragm Stage
 Stage Clips Objective Lenses Nosepiece
 Eyepiece Arm Fine Focus Course focus
 Tube

Travel to any 6 lab stations , pick one slide at each and complete the following.

Station ____:

1. What slide did you select?
2. Was it showing a phase of mitosis? If so, which phase?
3. Is the cell autotrophic or heterotrophic?
4. Sketch a detailed picture of what you see



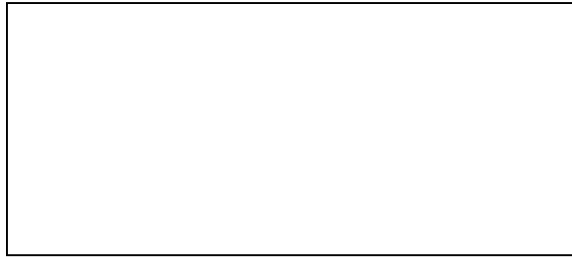
Station ____:

1. What slide did you select?
2. Was it showing a phase of mitosis? If so, which phase?
3. Is the cell autotrophic or heterotrophic?
4. Sketch a detailed picture of what you see



Station ____:

1. What slide did you select?
2. Was it showing a phase of mitosis? If so, which phase?
3. Is the cell autotrophic or heterotrophic?
4. Sketch a detailed picture of what you see



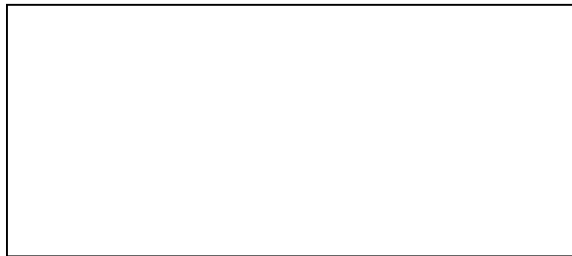
Station ____:

1. What slide did you select?
2. Was it showing a phase of mitosis? If so, which phase?
3. Is the cell autotrophic or heterotrophic?
4. Sketch a detailed picture of what you see



Station ____:

1. What slide did you select?
2. Was it showing a phase of mitosis? If so, which phase?
3. Is the cell autotrophic or heterotrophic?
4. Sketch a detailed picture of what you see



Station ____:

1. What slide did you select?
2. Was it showing a phase of mitosis? If so, which phase?
3. Is the cell autotrophic or heterotrophic?
4. Sketch a detailed picture of what you see

